



Sentinel Series™ Maintenance-Free Washdown Bearings



SENTINEL
SERIES

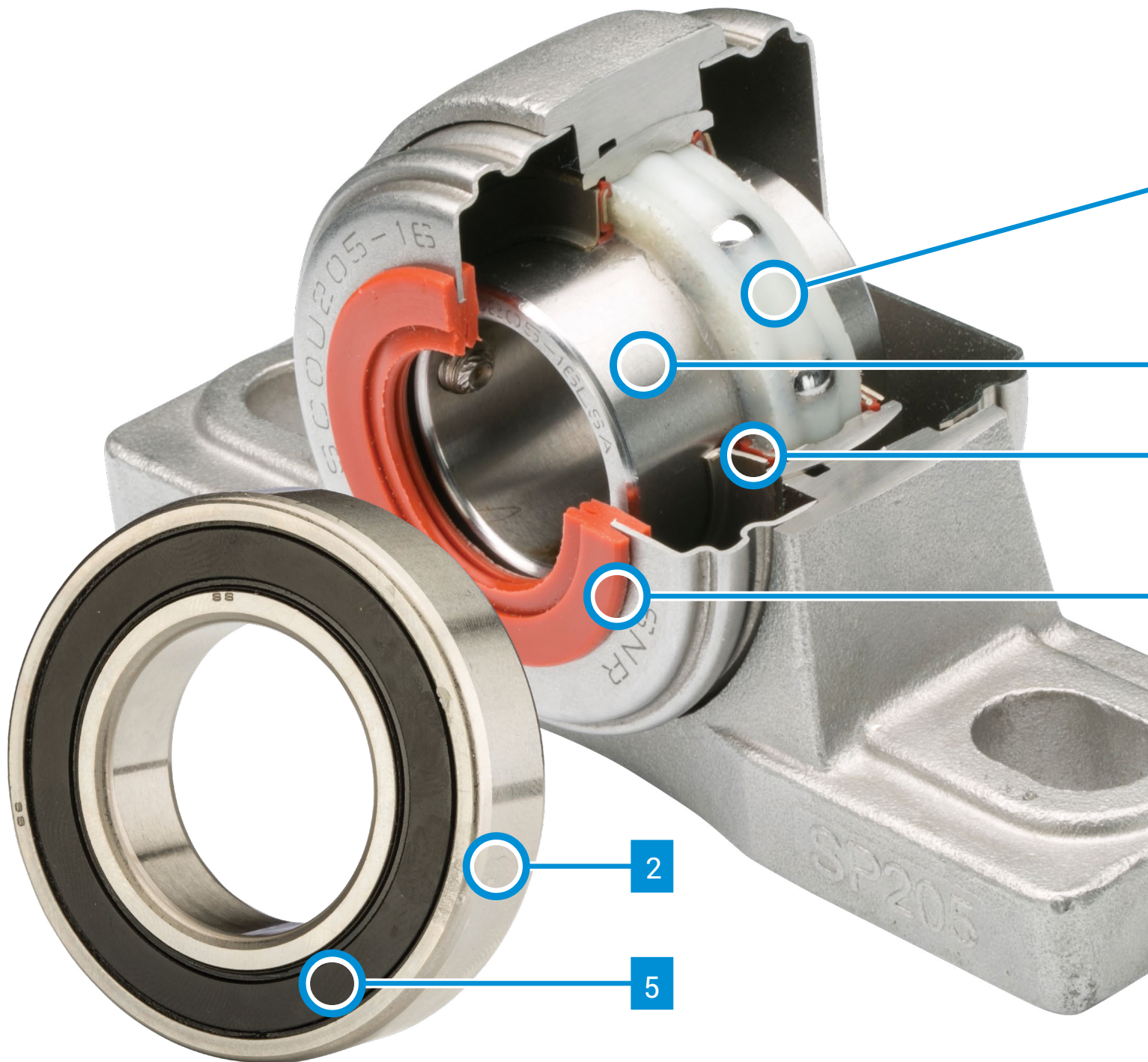


CAT. No. A-2100-II



Nonfood Compounds
(Category Code H1)

Don't let fear of bearing failure wash over you.





The Better Option

Less downtime.
More profitability.

NTN's SentinelSeries™ is a premium line of stainless steel bearings and bearing units featuring food-grade solid lube with covers. Sentinel is designed for a maintenance-free, washdown-resistant product line in food and beverage applications.

Product Features & Benefits

- 1 NTN food-grade solid lubricant (NSF H1 registered) provides permanent bearing lubrication by protecting bearings from washout and preventing undesired grease leakage into food
- 2 100% stainless steel bearing are corrosion-resistant and require no coating, eliminating the potential of flaked coatings contaminating end product
- 3 Silicone seal and slinger combination creates a water-resistant barrier to help prevent contamination
- 4 Protective covers for units provide additional protection against contaminants and moisture, while adding additional safety for maintenance personnel
- 5 Full-contact nitrile seals creates a water-resistant barrier to help prevent contamination

1

2

3

4





Table of Contents

NOMENCLATURE SYSTEM

BALL BEARING UNITS	6
BALL BEARINGS	7

STAINLESS STEEL HOUSINGS

PILLOW BLOCK	8-9
TAPPED BASE PILLOW BLOCK	10-11
TWO-BOLT FLANGE	12-13
FOUR-BOLT FLANGE	14-15
TAKE-UP	16-17

THERMOPLASTIC HOUSINGS

PILLOW BLOCK	18-19
TAPPED BASE PILLOW BLOCK	20-21
TWO-BOLT FLANGE	22-23
THREE-BOLT FLANGE	24-25
FOUR-BOLT FLANGE	26-27

BALL BEARINGS	28-29
---------------------	-------

INSERT BEARINGS	30-31
-----------------------	-------

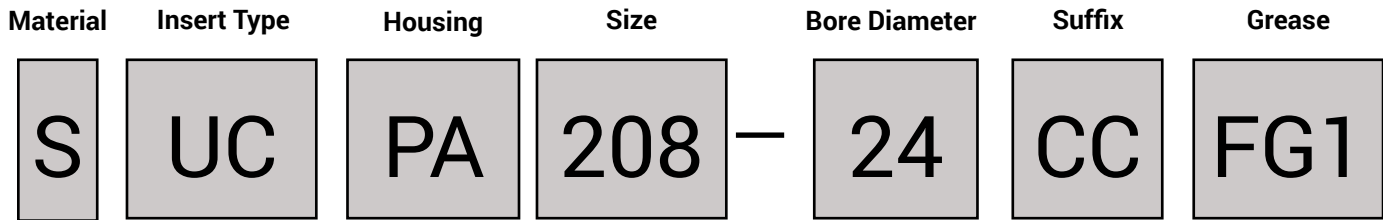
INSTALLATION INSTRUCTIONS	32-33
---------------------------------	-------

COMPONENTS	34-35
------------------	-------

ENGINEERING	36-37
-------------------	-------

Sentinel Series Nomenclature System

Ball Bearing Units



1. MATERIAL

- S: Stainless steel
- M: Stainless steel (insert only)

2. INSERT TYPE

- UC: Wide inner ring, set screw type w/slinger

3. HOUSING

Stainless Cast

- P: Pillow block
- PA: Tapped base pillow block
- FL: Two bolt flange
- F: Four bolt flange
- T: Take up unit

Thermoplastic

- PPL: Pillow block
- TBL: Tapped base pillow block
- NFL: Two-bolt flange
- FBL: Three-bolt flange bracket
- FPL: Four-bolt flange

4. SIZE

- 2xx: Base housing and bearing size

5. BORE DIAMETER

- XX: Bore diameter in 16ths of an inch (ex: 24/16 = 1.5")

6. SUFFIX

- CC: Closed Cover (one closed and one open cover, if applicable)
- CO: Open Cover (one or two open covers)

7. GREASE

- FG1: Food-grade solid lube (NSF H1 registered)

How to Order Your Sentinel Series Unit

SENTINEL SERIES STAINLESS STEEL HOUSING

Example: When you order one SUCP205-16CCFG1, you will receive an assembly consisting of one SP205N housing, one SUC205-16FG1 bearing, one open cover SC0U205-16, and one closed cover SCC205.

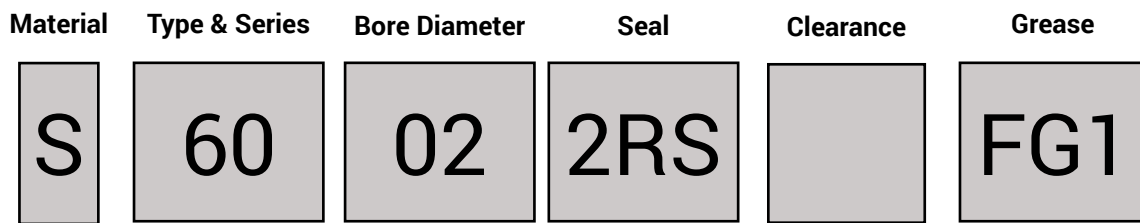
SENTINEL SERIES THERMOPLASTIC HOUSING

Example: When you order one MUCNFL205-16CCFG1, you will receive an assembly consisting of one WNFL205 housing, one SUC205-16FG1 bearing, and one closed cover CF25.

Note: All units will include mounting instructions within a 1x1 NTN Sentinel Series branded box.

Sentinel Series Nomenclature System

Ball Bearings



1. MATERIAL

S: Stainless steel

2. TYPE & SERIES

60: ISO 10 series deep groove ball bearing

62: ISO 02 series deep groove ball bearing

3. BORE DIAMETER

00: 10mm

01: 12mm

02: 15mm

03: 17mm

04+: # x 5 = bore diameter in mm

4. SEALS

2RS: Contact seal with grooves

5. CLEARANCE

No Designation: Normal clearance

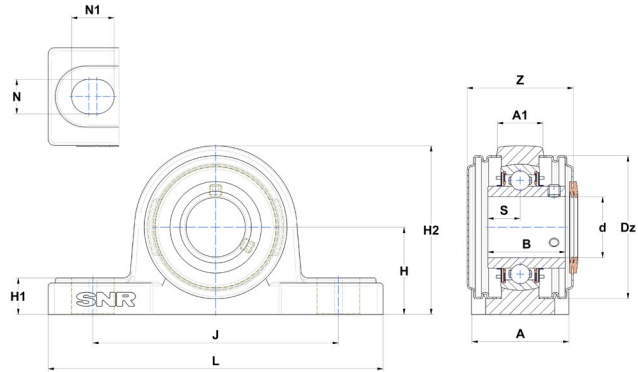
6. GREASE

FG1: Food-grade solid lube
(NSF H1 registered)

How to Order Your Sentinel Series Bearings

SENTINEL SERIES BALL BEARING

Example: When you order one S60022RSFG1, you will receive one ball bearing in a 1x1 NTN Sentinel Series branded box.

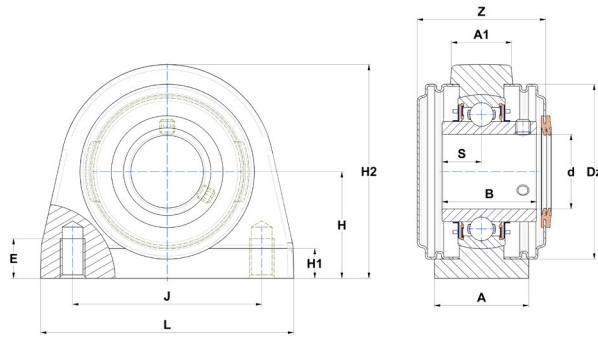


SENTINEL SERIES PILLOW BLOCK, STAINLESS STEEL

Shaft Size d	Unit Part Number		Nominal Dimensions (mm/inch)					
	Closed Cover	Open Cover	L	J	B	H	H1	H2
3/4	SUCP204-12CCFG1	SUCP204-12C0FG1	126 4.96	95 3.74	31 1.22	33.3 1.31	15 0.59	65 2.56
1	SUCP205-16CCFG1	SUCP205-16C0FG1	140 5.51	105 4.13	34.1 1.34	36.5 1.44	16 0.63	70 2.76
1 3/16	SUCP206-19CCFG1	SUCP206-19C0FG1	165 6.50	121 4.76	38.1 1.50	42.9 1.69	18 0.71	83 3.27
1 1/4	SUCP206-20CCFG1	SUCP206-20C0FG1	165 6.50	121 4.76	38.1 1.50	42.9 1.69	18 0.71	83 3.27
1 1/4	SUCP207-20CCFG1	SUCP207-20C0FG1	167 6.57	127 5.00	42.9 1.69	47.6 1.87	19 0.75	94 3.70
1 3/8	SUCP207-22CCFG1	SUCP207-22C0FG1	167 6.57	127 5.00	42.9 1.69	47.6 1.87	19 0.75	94 3.70
1 7/16	SUCP207-23CCFG1	SUCP207-23C0FG1	167 6.57	127 5.00	42.9 1.69	47.6 1.87	19 0.75	94 3.70
1 1/2	SUCP208-24CCFG1	SUCP208-24C0FG1	184 7.24	136 5.35	49.2 1.94	49.2 1.94	19 0.75	100 3.94
1 5/8	SUCP209-26CCFG1	SUCP209-26C0FG1	190 7.48	146 5.75	49.2 1.94	54 2.13	20 0.79	109 4.29
1 3/4	SUCP209-28CCFG1	SUCP209-28C0FG1	190 7.48	146 5.75	49.2 1.94	54 2.13	20 0.79	109 4.29
1 15/16	SUCP210-31CCFG1	SUCP210-31C0FG1	206 8.11	159 6.26	51.6 2.03	57.2 2.25	22 0.87	114 4.49
2	SUCP211-32CCFG1	SUCP211-32C0FG1	219 8.62	171 6.73	55.6 2.19	63.5 2.50	23 0.91	126 4.96
2 3/16	SUCP211-35CCFG1	SUCP211-35C0FG1	219 8.62	171 6.73	55.6 2.19	63.5 2.50	23 0.91	126 4.96
2 7/16	SUCP212-39CCFG1	SUCP212-39C0FG1	241 9.49	184 7.24	65.1 2.56	69.8 2.75	25 0.98	138 5.43

SENTINEL SERIES PILLOW BLOCK, STAINLESS STEEL (continued)

	Nominal Dimensions (mm/inch)							Weight (kg/lbs)	Bolt Size (metric/inch)	Housing	Insert Part Number
	S	A	A1	N	N1	Z	Dz				
	12.7 0.50	38 1.50	21 0.83	13 0.51	19 0.75	44.5 1.75	54 2.13	0.82 1.87	M10 3/8	SP204N	SUC204-12FG1
	14.3 0.56	38 1.50	23.5 0.93	13 0.51	19 0.75	47.3 1.86	60 2.36	0.97 2.14	M10 3/8	SP205N	SUC205-16FG1
	15.9 0.63	48 1.89	22 0.87	17 0.67	21 0.83	52.3 2.06	70 2.76	1.61 3.55	M14 1/2	SP206N	SUC206-19FG1
	15.9 0.63	48 1.89	22 0.87	17 0.67	21 0.83	52.3 2.06	70 2.76	1.61 3.55	M14 1/2	SP206N	SUC206-20FG1
	17.5 0.69	48 1.89	27 1.06	17 0.67	21 0.83	58.9 2.32	80 3.15	1.98 4.37	M14 1/2	SP207N	SUC207-20FG1
	17.5 0.69	48 1.89	27 1.06	17 0.67	21 0.83	58.9 2.32	80 3.15	1.98 4.37	M14 1/2	SP207N	SUC207-22FG1
	17.5 0.69	48 1.89	27 1.06	17 0.67	21 0.83	58.9 2.32	80 3.15	1.98 4.37	M14 1/2	SP207N	SUC207-23FG1
	19 0.75	54 2.13	27 1.06	17 0.67	23 0.91	69.3 2.73	88 3.46	2.48 5.47	M14 1/2	SP208N	SUC208-24FG1
	19 0.75	54 2.13	28 1.10	17 0.67	23 0.91	69.8 2.75	95 3.74	2.86 6.37	M14 1/2	SP209N	SUC209-26FG1
	19 0.75	54 2.13	28 1.10	17 0.67	23 0.91	69.8 2.75	95 3.74	2.86 6.37	M14 1/2	SP209N	SUC209-28FG1
	19 0.75	60 2.36	30 1.18	20 0.79	25 0.98	76.1 3.00	100 3.94	3.49 7.69	M16 5/8	SP210N	SUC210-31FG1
	22.2 0.87	60 2.36	33 1.30	20 0.79	25 0.98	77.7 3.06	110 4.33	4.31 9.50	M16 5/8	SP211N	SUC211-32FG1
	22.2 0.87	60 2.36	33 1.30	20 0.79	25 0.98	77.7 3.06	110 4.33	4.31 9.50	M16 5/8	SP211N	SUC211-35FG1
	25.4 1.00	70 2.76	35 1.38	20 0.79	25 0.98	91.3 3.59	120 4.72	5.89 12.99	M16 5/8	SP212N	SUC212-39FG1

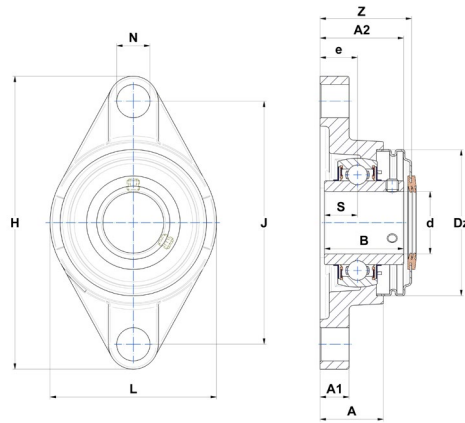


SENTINEL SERIES TAPPED BASE PILLOW BLOCK, STAINLESS STEEL

Shaft Size d	Unit Part Number		Nominal Dimensions (mm/inch)					
	Closed Cover	Open Cover	L	J	B	H	H1	H2
3/4	SUCPA204-12CCFG1	SUCPA204-12C0FG1	73 2.87	50.8 2.00	31 1.22	33.3 1.31	11 0.43	65 2.56
1	SUCPA205-16CCFG1	SUCPA205-16C0FG1	76 2.99	50.8 2.00	34.1 1.34	36.5 1.44	12 0.47	71 2.80
1 3/16	SUCPA206-19CCFG1	SUCPA206-19C0FG1	102 4.02	76.2 3.00	38.1 1.50	42.9 1.69	12 0.47	86 3.39
1 1/4	SUCPA206-20CCFG1	SUCPA206-20C0FG1	102 4.02	76.2 3.00	38.1 1.50	42.9 1.69	12 0.47	86 3.39
1 1/4	SUCPA207-20CCFG1	SUCPA207-20C0FG1	108 4.25	82.6 3.25	42.9 1.69	47.6 1.87	12 0.47	95 3.74
1 3/8	SUCPA207-22CCFG1	SUCPA207-22C0FG1	108 4.25	82.6 3.25	42.9 1.69	47.6 1.87	12 0.47	95 3.74
1 7/16	SUCPA207-23CCFG1	SUCPA207-23C0FG1	108 4.25	82.6 3.25	42.9 1.69	47.6 1.87	12 0.47	95 3.74
1 1/2	SUCPA208-24CCFG1	SUCPA208-24C0FG1	117 4.61	89 3.50	49.2 1.94	49.2 1.94	13 0.51	100 3.94
1 5/8	SUCPA209-26CCFG1	SUCPA209-26C0FG1	127 5.00	95.3 3.75	49.2 1.94	54 2.13	13 0.51	108 4.25
1 3/4	SUCPA209-28CCFG1	SUCPA209-28C0FG1	127 5.00	95.3 3.75	49.2 1.94	54 2.13	13 0.51	108 4.25
1 15/16	SUCPA210-31CCFG1	SUCPA210-31C0FG1	140 5.51	101.6 4.00	51.6 2.03	57.2 2.25	13 0.51	117 4.61

SENTINEL SERIES TAPPED BASE PILLOW BLOCK, STAINLESS STEEL (continued)

	Nominal Dimensions (mm/inch)					Weight (kg/lbs)	Bolt Size (metric)	Housing	Insert Part Number
	S	A	A1	Z	Dz				
	12.7 <i>0.50</i>	38 <i>1.50</i>	23 <i>0.91</i>	45.6 <i>1.80</i>	54 <i>2.13</i>	0.72 <i>1.59</i>	M8	SPA204N	SUC204-12FG1
	14.3 <i>0.56</i>	38 <i>1.50</i>	24 <i>0.94</i>	46.3 <i>1.82</i>	60 <i>2.36</i>	0.77 <i>1.70</i>	M10	SPA205N	SUC205-16FG1
	15.9 <i>0.63</i>	38 <i>1.50</i>	24 <i>0.94</i>	51.8 <i>2.04</i>	70 <i>2.76</i>	1.31 <i>2.89</i>	M10	SPA206N	SUC206-19FG1
	15.9 <i>0.63</i>	38 <i>1.50</i>	24 <i>0.94</i>	51.8 <i>2.04</i>	70 <i>2.76</i>	1.31 <i>2.89</i>	M10	SPA206N	SUC206-20FG1
	17.5 <i>0.69</i>	48 <i>1.89</i>	24 <i>0.94</i>	57.4 <i>2.26</i>	80 <i>3.15</i>	1.78 <i>3.92</i>	M10	SPA207N	SUC207-20FG1
	17.5 <i>0.69</i>	48 <i>1.89</i>	24 <i>0.94</i>	57.4 <i>2.26</i>	80 <i>3.15</i>	1.78 <i>3.92</i>	M10	SPA207N	SUC207-22FG1
	17.5 <i>0.69</i>	48 <i>1.89</i>	24 <i>0.94</i>	57.4 <i>2.26</i>	80 <i>3.15</i>	1.78 <i>3.92</i>	M10	SPA207N	SUC207-23FG1
	19 <i>0.75</i>	48 <i>1.89</i>	27 <i>1.06</i>	67.8 <i>2.67</i>	88 <i>3.46</i>	2.08 <i>4.59</i>	M12	SPA208N	SUC208-24FG1
	19 <i>0.75</i>	51 <i>2.01</i>	28 <i>1.10</i>	68.3 <i>2.69</i>	95 <i>3.74</i>	2.46 <i>5.42</i>	M12	SPA209N	SUC209-26FG1
	19 <i>0.75</i>	51 <i>2.01</i>	28 <i>1.10</i>	68.3 <i>2.69</i>	95 <i>3.74</i>	2.46 <i>5.42</i>	M12	SPA209N	SUC209-28FG1
	19 <i>0.75</i>	51 <i>2.01</i>	27 <i>1.06</i>	74.6 <i>2.94</i>	100 <i>3.94</i>	2.89 <i>6.37</i>	M16	SPA210N	SUC210-31FG1

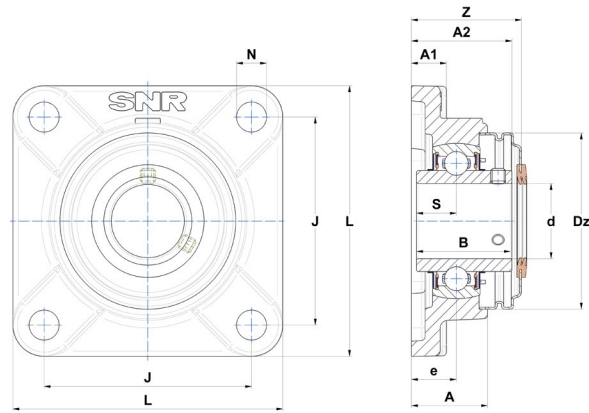


SENTINEL SERIES TWO-BOLT FLANGE, STAINLESS STEEL

Shaft Size d	Unit Part Number		Nominal Dimensions (mm/inch)					
	Closed Cover	Open Cover	L	J	H	B	e	S
3/4	SUCFL204-12CCFG1	SUCFL204-12C0FG1	59 2.30	90 3.54	112 4.41	31 1.22	15 0.59	12.7 0.50
1	SUCFL205-16CCFG1	SUCFL205-16C0FG1	68 2.68	99 3.90	125 4.92	34.1 1.34	16 0.63	14.3 0.56
1 3/16	SUCFL206-19CCFG1	SUCFL206-19C0FG1	80 3.15	117 4.61	141 5.55	38.1 1.50	18 0.71	15.9 0.63
1 1/4	SUCFL206-20CCFG1	SUCFL206-20C0FG1	80 3.15	117 4.61	141 5.55	38.1 1.50	18 0.71	15.9 0.63
1 1/4	SUCFL207-20CCFG1	SUCFL207-20C0FG1	90 3.54	130 5.12	156 6.14	42.9 1.69	19 0.75	17.5 0.69
1 3/8	SUCFL207-22CCFG1	SUCFL207-22C0FG1	90 3.54	130 5.12	156 6.14	42.9 1.69	19 0.75	17.5 0.69
1 7/16	SUCFL207-23CCFG1	SUCFL207-23C0FG1	90 3.54	130 5.12	156 6.14	42.9 1.69	19 0.75	17.5 0.69
1 1/2	SUCFL208-24CCFG1	SUCFL208-24C0FG1	100 3.94	144 5.67	172 6.77	49.2 1.94	21 0.83	19 0.75
1 5/8	SUCFL209-26CCFG1	SUCFL209-26C0FG1	108 4.25	148 5.83	180 7.09	49.2 1.94	22 0.87	19 0.75
1 3/4	SUCFL209-28CCFG1	SUCFL209-28C0FG1	108 4.25	148 5.83	180 7.09	49.2 1.94	22 0.87	19 0.75
1 15/16	SUCFL210-31CCFG1	SUCFL210-31C0FG1	115 4.53	157 6.18	190 7.48	51.6 2.03	22 0.87	19 0.75

SENTINEL SERIES TWO-BOLT FLANGE, STAINLESS STEEL (continued)

Nominal Dimensions (mm/inch)							Weight (kg/lbs)	Bolt Size (metric/inch)	Housing	Insert Part Number
A	A1	A2	N	Z	Dz					
25.5 1.00	12 0.47	33.3 1.31	12 0.47	36.6 1.44	54 2.13	0.49 1.08	M10 ³ / ₈	SFL204N	SUC204-12FG1	
27 1.06	13 0.51	35.8 1.41	16 0.63	38.9 1.53	60 2.36	0.64 1.41	M14 ¹ / ₂	SFL205N	SUC205-16FG1	
31 1.22	13 0.51	40.2 1.58	16 0.63	43.9 1.73	70 2.76	0.87 1.92	M14 ¹ / ₂	SFL206N	SUC206-19FG1	
31 1.22	13 0.51	40.2 1.58	16 0.63	43.9 1.73	70 2.76	0.87 1.92	M14 ¹ / ₂	SFL206N	SUC206-20FG1	
33 1.30	15 0.59	44.4 1.75	16 0.63	47.7 1.88	80 3.15	1.23 2.71	M14 ¹ / ₂	SFL207N	SUC207-20FG1	
33 1.30	15 0.59	44.4 1.75	16 0.63	47.7 1.88	80 3.15	1.23 2.71	M14 ¹ / ₂	SFL207N	SUC207-22FG1	
33 1.30	15 0.59	44.4 1.75	16 0.63	47.7 1.88	80 3.15	1.23 2.71	M14 ¹ / ₂	SFL207N	SUC207-23FG1	
36 1.42	15 0.59	51.2 2.02	16 0.63	54.4 2.14	88 3.46	1.61 3.55	M14 ¹ / ₂	SFL208N	SUC208-24FG1	
38 1.50	15 0.59	52.2 2.06	19 0.75	55.9 2.20	95 3.74	1.88 4.14	M16 ⁵ / ₈	SFL209N	SUC209-26FG1	
38 1.50	15 0.59	52.2 2.06	19 0.75	55.9 2.20	95 3.74	1.88 4.14	M16 ⁵ / ₈	SFL209N	SUC209-28FG1	
39 1.54	16 0.63	54.6 2.15	19 0.75	59.3 2.33	100 3.94	2.29 5.05	M16 ⁵ / ₈	SFL210N	SUC210-31FG1	

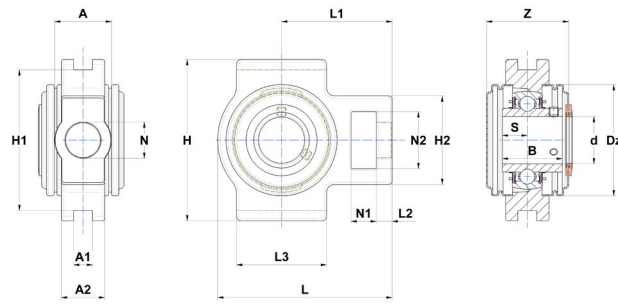


SENTINEL SERIES FOUR-BOLT FLANGE, STAINLESS STEEL

Shaft Size d	Unit Part Number		Nominal Dimensions (mm/inch)					
	Closed Cover	Open Cover	L	J	B	e	S	A
3/4	SUCF204-12CCFG1	SUCF204-12C0FG1	86 3.39	64 2.52	31 1.22	15 0.59	12.7 0.50	25.5 1.00
1	SUCF205-16CCFG1	SUCF205-16C0FG1	95 3.74	70 2.76	34.1 1.34	16 0.63	14.3 0.56	27 1.06
1 3/16	SUCF206-19CCFG1	SUCF206-19C0FG1	108 4.25	83 3.27	38.1 1.50	18 0.71	15.9 0.63	30.5 1.20
1 1/4	SUCF206-20CCFG1	SUCF206-20C0FG1	108 4.25	83 3.27	38.1 1.50	18 0.71	15.9 0.63	30.5 1.20
1 1/4	SUCF207-20CCFG1	SUCF207-20C0FG1	116 4.57	92 3.62	42.9 1.69	19 0.75	17.5 0.69	33.5 1.32
1 3/8	SUCF207-22CCFG1	SUCF207-22C0FG1	116 4.57	92 3.62	42.9 1.69	19 0.75	17.5 0.69	33.5 1.32
1 7/16	SUCF207-23CCFG1	SUCF207-23C0FG1	116 4.57	92 3.62	42.9 1.69	19 0.75	17.5 0.69	33.5 1.32
1 1/2	SUCF208-24CCFG1	SUCF208-24C0FG1	130 5.12	102 4.02	49.2 1.94	21 0.83	19 0.75	36 1.42
1 5/8	SUCF209-26CCFG1	SUCF209-26C0FG1	137 5.39	105 4.13	49.2 1.94	22 0.87	19 0.75	38 1.50
1 3/4	SUCF209-28CCFG1	SUCF209-28C0FG1	137 5.39	105 4.13	49.2 1.94	22 0.87	19 0.75	38 1.50
1 15/16	SUCF210-31CCFG1	SUCF210-31C0FG1	143 5.63	111 4.37	51.6 2.03	22 0.87	19 0.75	40 1.57
2	SUCF211-32CCFG1	SUCF211-32C0FG1	162 6.38	130 5.12	55.6 2.19	25 0.98	22.2 0.87	44 1.73
2 3/16	SUCF211-35CCFG1	SUCF211-35C0FG1	162 6.38	130 5.12	55.6 2.19	25 0.98	22.2 0.87	44 1.73
2 7/16	SUCF212-39CCFG1	SUCF212-39C0FG1	175 6.89	143 5.63	65.1 2.56	29 1.14	25.4 1.00	48 1.89

SENTINEL SERIES FOUR-BOLT FLANGE, STAINLESS STEEL (continued)

	Nominal Dimensions (mm/inch)					Weight (kg/lbs)	Bolt Size (metric/inch)	Housing	Insert Part Number
	A1	A2	N	Z	Dz				
	12 <i>0.47</i>	33.3 <i>1.31</i>	12 <i>0.47</i>	36.6 <i>1.44</i>	54 <i>2.13</i>	0.59 <i>1.30</i>	M10 $\frac{3}{8}$	SF204N	SUC204-12FG1
	14 <i>0.55</i>	35.8 <i>1.41</i>	12 <i>0.47</i>	39.2 <i>1.54</i>	60 <i>2.36</i>	0.84 <i>1.85</i>	M10 $\frac{3}{8}$	SF205N	SUC205-16FG1
	14 <i>0.55</i>	40.2 <i>1.58</i>	12 <i>0.47</i>	44 <i>1.73</i>	70 <i>2.76</i>	1.17 <i>2.58</i>	M10 $\frac{3}{8}$	SF206N	SUC206-19FG1
	14 <i>0.55</i>	40.2 <i>1.58</i>	12 <i>0.47</i>	44 <i>1.73</i>	70 <i>2.76</i>	1.17 <i>2.58</i>	M10 $\frac{3}{8}$	SF206N	SUC206-20FG1
	14.5 <i>0.57</i>	44.4 <i>1.75</i>	14 <i>0.55</i>	47.5 <i>1.87</i>	80 <i>3.15</i>	1.43 <i>3.15</i>	M12 $\frac{1}{2}$	SF207N	SUC207-20FG1
	14.5 <i>0.57</i>	44.4 <i>1.75</i>	14 <i>0.55</i>	47.5 <i>1.87</i>	80 <i>3.15</i>	1.43 <i>3.15</i>	M12 $\frac{1}{2}$	SF207N	SUC207-22FG1
	14.5 <i>0.57</i>	44.4 <i>1.75</i>	14 <i>0.55</i>	47.5 <i>1.87</i>	80 <i>3.15</i>	1.43 <i>3.15</i>	M12 $\frac{1}{2}$	SF207N	SUC207-23FG1
	14.5 <i>0.57</i>	51.2 <i>2.02</i>	16 <i>0.63</i>	54.7 <i>2.15</i>	88 <i>3.46</i>	1.91 <i>4.21</i>	M14 $\frac{1}{2}$	SF208N	SUC208-24FG1
	15.5 <i>0.61</i>	52.2 <i>2.06</i>	16 <i>0.63</i>	56 <i>2.20</i>	95 <i>3.74</i>	2.38 <i>5.25</i>	M14 $\frac{1}{2}$	SF209N	SUC209-26FG1
	15.5 <i>0.61</i>	52.2 <i>2.06</i>	16 <i>0.63</i>	56 <i>2.20</i>	95 <i>3.74</i>	2.38 <i>5.25</i>	M14 $\frac{1}{2}$	SF209N	SUC209-28FG1
	15 <i>0.59</i>	54.6 <i>2.15</i>	16 <i>0.63</i>	59.1 <i>2.33</i>	100 <i>3.94</i>	2.69 <i>5.93</i>	M14 $\frac{1}{2}$	SF210N	SUC210-31FG1
	20 <i>0.79</i>	58.4 <i>2.30</i>	19 <i>0.75</i>	61.9 <i>2.44</i>	110 <i>4.33</i>	4.1 <i>9.04</i>	M16 $\frac{5}{8}$	SF211N	SUC211-32FG1
	20 <i>0.79</i>	58.4 <i>2.30</i>	19 <i>0.75</i>	61.9 <i>2.44</i>	110 <i>4.33</i>	4.1 <i>9.04</i>	M16 $\frac{5}{8}$	SF211N	SUC211-35FG1
	20 <i>0.79</i>	68.7 <i>2.70</i>	19 <i>0.75</i>	72.1 <i>2.84</i>	120 <i>4.72</i>	5.65 <i>12.46</i>	M16 $\frac{5}{8}$	SF212N	SUC212-39FG1

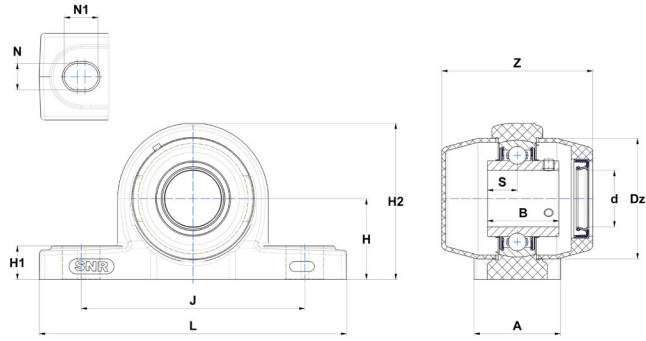


SENTINEL SERIES TAKE-UP, STAINLESS STEEL

Shaft Size d	Unit Part Number		Nominal Dimensions (mm/inch)							
	Closed Cover	Open Cover	L	H	H1	H2	B	S	A	A1
3/4	SUCT204-12CCFG1	SUCT204-12C0FG1	94 3.70	89 3.50	76 2.99	51 2.01	31 1.22	12.7 0.50	32 1.26	12 0.47
1	SUCT205-16CCFG1	SUCT205-16C0FG1	95 3.74	89 3.50	76 2.99	51 2.01	34.1 1.34	14.3 0.56	32 1.26	12 0.47
1 3/16	SUCT206-19CCFG1	SUCT206-19C0FG1	113 4.45	102 4.02	89 3.50	56 2.20	38.1 1.50	15.9 0.63	37 1.46	12 0.47
1 1/4	SUCT206-20CCFG1	SUCT206-20C0FG1	113 4.45	102 4.02	89 3.50	56 2.20	38.1 1.50	15.9 0.63	37 1.46	12 0.47
1 1/4	SUCT207-20CCFG1	SUCT207-20C0FG1	129 5.08	102 4.02	89 3.50	64 2.52	42.9 1.69	17.5 0.69	37 1.46	12 0.47
1 3/8	SUCT207-22CCFG1	SUCT207-22C0FG1	129 5.08	102 4.02	89 3.50	64 2.52	42.9 1.69	17.5 0.69	37 1.46	12 0.47
1 7/16	SUCT207-23CCFG1	SUCT207-23C0FG1	129 5.08	102 4.02	89 3.50	64 2.52	42.9 1.69	17.5 0.69	37 1.46	12 0.47
1 1/2	SUCT208-24CCFG1	SUCT208-24C0FG1	144 5.67	114 4.49	102 4.02	83 3.27	49.2 1.94	19 0.75	49 1.93	16 0.63
1 5/8	SUCT209-26CCFG1	SUCT209-26C0FG1	144 5.67	117 4.61	102 4.02	83 3.27	49.2 1.94	19 0.75	49 1.93	16 0.63
1 3/4	SUCT209-28CCFG1	SUCT209-28C0FG1	144 5.67	117 4.61	102 4.02	83 3.27	49.2 1.94	19 0.75	49 1.93	16 0.63
1 15/16	SUCT210-31CCFG1	SUCT210-31C0FG1	149 5.87	117 4.61	102 4.02	83 3.27	51.6 2.03	19 0.75	49 1.93	16 0.63

SENTINEL SERIES TAKE-UP, STAINLESS STEEL (continued)

Nominal Dimensions (mm/inch)										Weight (kg/lbs)	Housing	Insert Part Number
A2	L1	L2	L3	N	N1	N2	Z	Dz				
21 0.83	61 2.40	10 0.39	51 2.01	19 0.75	16 0.63	32 1.26	44.6 1.76	54 2.13	0.82 1.81	ST204N	SUC204-12FG1	
24 0.94	60.5 2.38	8 0.31	51 2.01	19 0.75	16 0.63	32 1.26	47.3 1.86	60 2.36	0.96 2.12	ST205N	SUC205-16FG1	
28 1.10	70 2.76	10 0.39	57 2.24	22 0.87	16 0.63	37 1.46	52.3 2.06	70 2.76	1.4 3.09	ST206N	SUC206-19FG1	
28 1.10	70 2.76	10 0.39	57 2.24	22 0.87	16 0.63	37 1.46	52.3 2.06	70 2.76	1.4 3.09	ST206N	SUC206-20FG1	
30 1.18	78 3.07	13 0.51	64 2.52	22 0.87	16 0.63	37 1.46	58.9 2.32	80 3.15	1.77 3.90	ST207N	SUC207-20FG1	
30 1.18	78 3.07	13 0.51	64 2.52	22 0.87	16 0.63	37 1.46	58.9 2.32	80 3.15	1.77 3.90	ST207N	SUC207-22FG1	
30 1.18	78 3.07	13 0.51	64 2.52	22 0.87	16 0.63	37 1.46	58.9 2.32	80 3.15	1.77 3.90	ST207N	SUC207-23FG1	
33 1.30	88 3.46	16 0.63	83 3.27	29 1.14	19 0.75	49 1.93	69.3 2.73	88 3.46	2.67 5.89	ST208N	SUC208-24FG1	
35 1.38	87 3.43	16 0.63	83 3.27	29 1.14	19 0.75	49 1.93	69.8 2.75	95 3.74	2.65 5.84	ST209N	SUC209-26FG1	
35 1.38	87 3.43	16 0.63	83 3.27	29 1.14	19 0.75	49 1.93	69.8 2.75	95 3.74	2.65 5.84	ST209N	SUC209-28FG1	
37 1.46	90 3.54	16 0.63	86 3.39	29 1.14	19 0.75	49 1.93	76.1 3.00	100 3.94	2.77 6.11	ST210N	SUC210-31FG1	

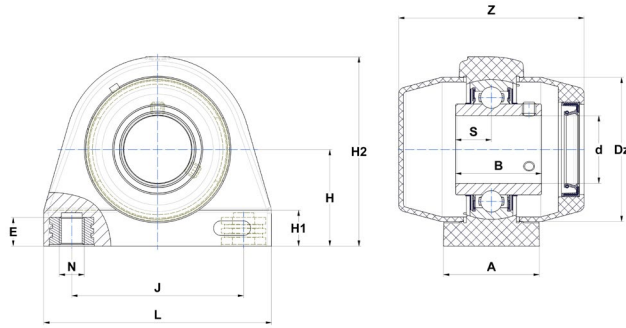


SENTINEL SERIES PILLOW BLOCK, THERMOPLASTIC

Shaft Size d	Unit Part Number		Nominal Dimensions (mm/inch)					
	Closed Cover	Open Cover	L	J	B	H	H1	H2
3/4	MUCPPL204-12CCFG1	MUCPPL204-12C0FG1	127 5.00	95 3.74	31 1.22	33.3 1.31	14.2 0.56	65 2.56
1	MUCPPL205-16CCFG1	MUCPPL205-16C0FG1	140 5.51	105 4.13	34.1 1.34	36.5 1.44	14.5 0.57	71 2.80
1 3/16	MUCPPL206-19CCFG1	MUCPPL206-19C0FG1	162 6.38	119 4.69	38.1 1.50	42.9 1.69	17.8 0.70	83 3.27
1 1/4	MUCPPL206-20CCFG1	MUCPPL206-20C0FG1	162 6.38	119 4.69	38.1 1.50	42.9 1.69	17.8 0.70	83 3.27
1 1/4	MUCPPL207-20CCFG1	MUCPPL207-20C0FG1	167 6.57	127 5.00	42.9 1.69	47.6 1.87	18 0.71	94 3.70
1 3/8	MUCPPL207-22CCFG1	MUCPPL207-22C0FG1	167 6.57	127 5.00	42.9 1.69	47.6 1.87	18 0.71	94 3.70
1 7/16	MUCPPL207-23CCFG1	MUCPPL207-23C0FG1	167 6.57	127 5.00	42.9 1.69	47.6 1.87	18 0.71	94 3.70
1 1/2	MUCPPL208-24CCFG1	MUCPPL208-24C0FG1	184 7.24	137 5.39	49.2 1.94	49.2 1.94	19.5 0.77	98 3.86

SENTINEL SERIES PILLOW BLOCK, THERMOPLASTIC (continued)

	Nominal Dimensions (mm/inch)						Weight (kg/lbs)	Bolt Size (metric/inch)	Housing	Insert Part Number
	S	A	N	N1	Z	Dz				
	12.7 <i>0.50</i>	38 <i>1.50</i>	11 <i>0.43</i>	14 <i>0.55</i>	63.3 <i>2.49</i>	50.1 <i>1.97</i>	0.32 <i>0.71</i>	M10 $\frac{3}{8}$	WPPL204	SUC204-12FG1
	14.3 <i>0.56</i>	38 <i>1.50</i>	11 <i>0.43</i>	14 <i>0.55</i>	68.1 <i>2.68</i>	55 <i>2.17</i>	0.38 <i>0.84</i>	M10 $\frac{3}{8}$	WPPL205	SUC205-16FG1
	15.9 <i>0.63</i>	46 <i>1.81</i>	14 <i>0.55</i>	18 <i>0.71</i>	80.4 <i>3.17</i>	64 <i>2.52</i>	0.59 <i>1.30</i>	M12 $\frac{1}{2}$	WPPL206	SUC206-19FG1
	15.9 <i>0.63</i>	46 <i>1.81</i>	14 <i>0.55</i>	18 <i>0.71</i>	80.4 <i>3.17</i>	64 <i>2.52</i>	0.59 <i>1.30</i>	M12 $\frac{1}{2}$	WPPL206	SUC206-20FG1
	17.5 <i>0.69</i>	48 <i>1.89</i>	14 <i>0.55</i>	18 <i>0.71</i>	89.7 <i>3.53</i>	74.6 <i>2.94</i>	0.85 <i>1.87</i>	M12 $\frac{1}{2}$	WPPL207	SUC207-20FG1
	17.5 <i>0.69</i>	48 <i>1.89</i>	14 <i>0.55</i>	18 <i>0.71</i>	89.7 <i>3.53</i>	74.6 <i>2.94</i>	0.85 <i>1.87</i>	M12 $\frac{1}{2}$	WPPL207	SUC207-22FG1
	17.5 <i>0.69</i>	48 <i>1.89</i>	14 <i>0.55</i>	18 <i>0.71</i>	89.7 <i>3.53</i>	74.6 <i>2.94</i>	0.85 <i>1.87</i>	M12 $\frac{1}{2}$	WPPL207	SUC207-23FG1
	19 <i>0.75</i>	54 <i>2.13</i>	14 <i>0.55</i>	18 <i>0.71</i>	103 <i>4.06</i>	84 <i>3.31</i>	1.05 <i>2.31</i>	M12 $\frac{1}{2}$	WPPL208	SUC208-24FG1

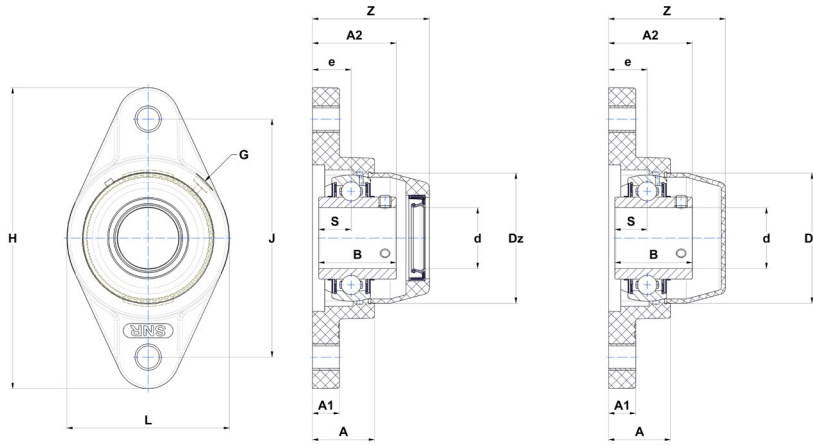


SENTINEL SERIES TAPPED BASE PILLOW BLOCK, THERMOPLASTIC

Shaft Size d	Unit Part Number		Nominal Dimensions (mm/inch)					
	Closed Cover	Open Cover	L	J	B	H	H1	H2
3/4	MUCTBL204-12CCFG1	MUCTBL204-12C0FG1	72.8 2.87	50.8 2.00	31 1.22	33.3 1.31	13 0.51	66 2.60
1	MUCTBL205-16CCFG1	MUCTBL205-16C0FG1	76.2 3.00	50.8 2.00	34.1 1.34	36.5 1.44	14 0.55	73.5 2.89
1 3/16	MUCTBL206-19CCFG1	MUCTBL206-19C0FG1	101 3.98	76.2 3.00	38.1 1.50	42.9 1.69	16 0.63	84 3.31
1 1/4	MUCTBL206-20CCFG1	MUCTBL206-20C0FG1	101 3.98	76.2 3.00	38.1 1.50	42.9 1.69	16 0.63	84 3.31
1 1/4	MUCTBL207-20CCFG1	MUCTBL207-20C0FG1	110 4.33	82.6 3.25	42.9 1.69	47.6 1.87	18.5 0.73	95 3.74
1 3/8	MUCTBL207-22CCFG1	MUCTBL207-22C0FG1	110 4.33	82.6 3.25	42.9 1.69	47.6 1.87	18.5 0.73	95 3.74
1 7/16	MUCTBL207-23CCFG1	MUCTBL207-23C0FG1	110 4.33	82.6 3.25	42.9 1.69	47.6 1.87	18.5 0.73	95 3.74
1 1/2	MUCTBL208-24CCFG1	MUCTBL208-24C0FG1	120 4.72	88.9 3.50	49.2 1.94	49.2 1.94	22.5 0.89	110.5 4.35

SENTINEL SERIES TAPPED BASE PILLOW BLOCK, THERMOPLASTIC (continued)

	Nominal Dimensions (mm/inch)						Weight (kg/lbs)	Bolt Size (metric/inch)	Housing	Insert Part Number
	S	A	A1	E	Z	Dz				
	12.7 0.50	34.5 1.36	23.8 0.94	12 0.47	64.4 2.54	50.1 1.97	0.27 0.60	3/8-16 UNC-2B	WTBLI204	SUC204-12FG1
	14.3 0.56	39.5 1.56	25.4 1.00	12 0.47	69.4 2.73	55 2.17	0.35 0.77	3/8-16 UNC-2B	WTBLI205	SUC205-16FG1
	15.9 0.63	42.5 1.67	28 1.10	12 0.47	81.6 3.21	64 2.52	0.55 1.21	7/16-14 UNC-2B	WTBLI206	SUC206-19FG1
	15.9 0.63	42.5 1.67	28 1.10	12 0.47	81.6 3.21	64 2.52	0.55 1.21	7/16-14 UNC-2B	WTBLI206	SUC206-20FG1
	17.5 0.69	47.5 1.87	32.5 1.28	15.5 0.61	89.3 3.52	74.6 2.94	0.8 1.76	1/2-13 UNC -2B	WTBLI207	SUC207-20FG1
	17.5 0.69	47.5 1.87	32.5 1.28	15.5 0.61	89.3 3.52	74.6 2.94	0.8 1.76	1/2-13 UNC -2B	WTBLI207	SUC207-22FG1
	17.5 0.69	47.5 1.87	32.5 1.28	15.5 0.61	89.3 3.52	74.6 2.94	0.8 1.76	1/2-13 UNC -2B	WTBLI207	SUC207-23FG1
	19 0.75	48 1.89	35 1.38	16 0.63	102.6 4.04	84 3.31	0.98 2.16	1/2-13 UNC -2B	WTBLI208	SUC208-24FG1

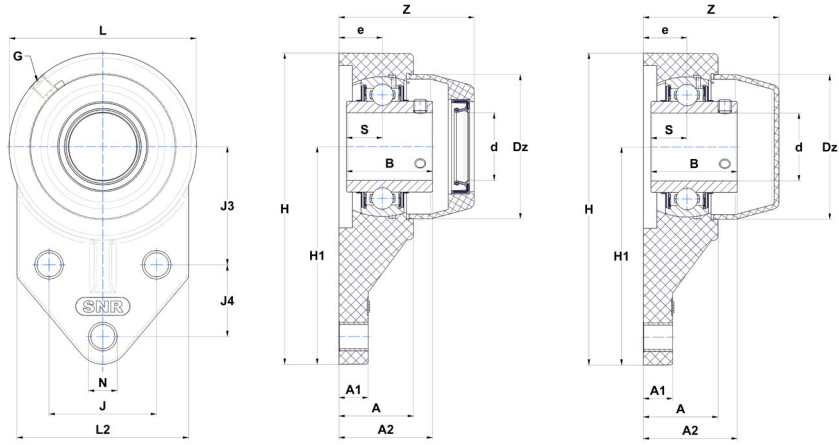


SENTINEL SERIES TWO-BOLT FLANGE, THERMOPLASTIC

Shaft Size d	Unit Part Number		Nominal Dimensions (mm/inch)					
	Closed Cover	Open Cover	L	J	H	B	e	S
3/4	MUCNFL204-12CCFG1	MUCNFL204-12C0FG1	65 2.55	90 3.54	113 4.45	31 1.22	15.4 0.61	12.7 0.50
1	MUCNFL205-16CCFG1	MUCNFL205-16C0FG1	70 2.76	99 3.90	130 5.12	34.1 1.34	17 0.67	14.3 0.56
1 3/16	MUCNFL206-19CCFG1	MUCNFL206-19C0FG1	80 3.15	117 4.61	148 5.83	38.1 1.50	19 0.75	15.9 0.63
1 1/4	MUCNFL206-20CCFG1	MUCNFL206-20C0FG1	80 3.15	117 4.61	148 5.83	38.1 1.50	19 0.75	15.9 0.63
1 1/4	MUCNFL207-20CCFG1	MUCNFL207-20C0FG1	90 3.54	130 5.12	163 6.42	42.9 1.69	18 0.71	17.5 0.69
1 3/8	MUCNFL207-22CCFG1	MUCNFL207-22C0FG1	90 3.54	130 5.12	163 6.42	42.9 1.69	18 0.71	17.5 0.69
1 7/16	MUCNFL207-23CCFG1	MUCNFL207-23C0FG1	90 3.54	130 5.12	163 6.42	42.9 1.69	18 0.71	17.5 0.69
1 1/2	MUCNFL208-24CCFG1	MUCNFL208-24C0FG1	100 3.94	144 5.67	175 6.89	49.2 1.94	21.5 0.85	19 0.75

SENTINEL SERIES TWO-BOLT FLANGE, THERMOPLASTIC (continued)

	Nominal Dimensions (mm/inch)						Weight (kg/lbs)	Bolt Size (metric/inch)	Housing	Insert Part Number
	A	A1	A2	N	Z	Dz				
	26.5 1.04	11.4 0.45	33.7 1.33	11 0.43	46.8 1.84	50.1 1.97	0.26 0.57	M10 3/8	WNFL204	SUC204-12FG1
	29.1 1.15	13.5 0.53	36.8 1.45	11 0.43	51.1 2.01	55.0 2.17	0.33 0.73	M10 3/8	WNFL205	SUC205-16FG1
	30.5 1.20	13.3 0.52	41.2 1.62	11 0.43	57.5 2.26	64.0 2.52	0.48 1.06	M10 3/8	WNFL206	SUC206-19FG1
	30.5 1.20	13.3 0.52	41.2 1.62	11 0.43	57.5 2.26	64.0 2.52	0.48 1.06	M10 3/8	WNFL206	SUC206-20FG1
	32.8 1.29	16.1 0.63	43.4 1.71	13 0.51	61.6 2.43	74.6 2.94	0.7 1.54	M12 1/2	WNFL207	SUC207-20FG1
	32.8 1.29	16.1 0.63	43.4 1.71	13 0.51	61.6 2.43	74.6 2.94	0.7 1.54	M12 1/2	WNFL207	SUC207-22FG1
	32.8 1.29	16.1 0.63	43.4 1.71	13 0.51	61.6 2.43	74.6 2.94	0.7 1.54	M12 1/2	WNFL207	SUC207-23FG1
	37.5 1.48	20 0.79	51.7 2.04	14 0.55	71 2.80	84.0 3.31	0.92 2.03	M12 1/2	WNFL208	SUC208-24FG1

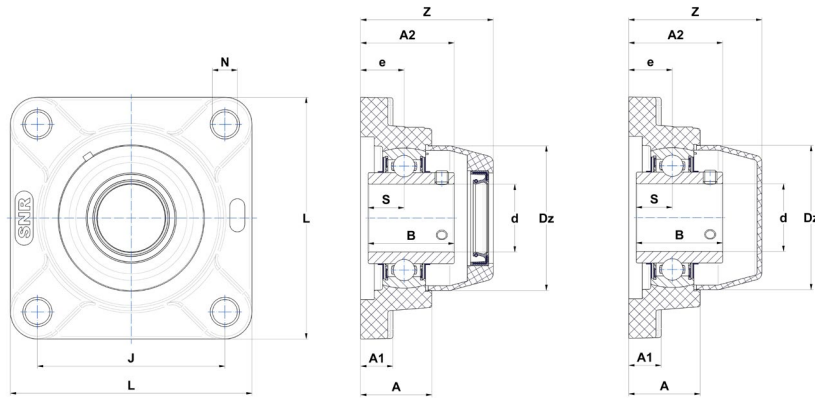


SENTINEL SERIES THREE-BOLT FLANGE, THERMOPLASTIC

Shaft Size d	Unit Part Number		Nominal Dimensions (mm/inch)							
	Closed Cover	Open Cover	L	L2	J	J3	J4	H	H1	B
3/4	MUCFBL204-12CCFG1	MUCFBL204-12C0FG1	63.5 2.50	62 2.44	38.1 1.50	42.9 1.69	22.2 0.87	108 4.25	76.2 3.00	31 1.22
1	MUCFBL205-16CCFG1	MUCFBL205-16C0FG1	70 2.76	63.5 2.50	43.1 1.63	46 1.81	28.6 1.13	120.6 4.75	85.7 3.37	34.1 1.34
1 3/16	MUCFBL206-19CCFG1	MUCFBL206-19C0FG1	83 3.27	76 2.99	47.6 1.87	52.4 2.06	31.8 1.25	138.5 5.45	96.5 3.80	38.1 1.50
1 1/4	MUCFBL206-20CCFG1	MUCFBL206-20C0FG1	83 3.27	76 2.99	47.6 1.87	52.4 2.06	31.8 1.25	138.5 5.45	96.5 3.80	38.1 1.50
1 1/4	MUCFBL207-20CCFG1	MUCFBL207-20C0FG1	95 3.74	89 3.50	50.8 2.00	60.3 2.37	31.8 1.25	157 6.18	109.5 4.31	42.9 1.69
1 3/8	MUCFBL207-22CCFG1	MUCFBL207-22C0FG1	95 3.74	89 3.50	50.8 2.00	60.3 2.37	31.8 1.25	157 6.18	109.5 4.31	42.9 1.69
1 7/16	MUCFBL207-23CCFG1	MUCFBL207-23C0FG1	95 3.74	89 3.50	50.8 2.00	60.3 2.37	31.8 1.25	157 6.18	109.5 4.31	42.9 1.69
1 1/2	MUCFBL208-24CCFG1	MUCFBL208-24C0FG1	99 3.90	89 3.50	50.8 2.00	60.3 2.37	31.8 1.25	158.5 6.24	109.5 4.31	49.2 1.94

SENTINEL SERIES THREE-BOLT FLANGE, THERMOPLASTIC (continued)

Nominal Dimensions (mm/inch)									Weight (kg/lbs)	Bolt Size (metric/inch)	Housing	Insert Part Number
e	S	A	A1	A2	N	Z	Dz					
15.4 0.61	12.7 0.50	26.5 1.04	11.4 0.45	33.7 1.33	10.7 0.42	46.8 1.84	50 1.97	0.27 0.60	M10 7/16	FBL204	SUC204-12FG1	
21.8 0.86	14.3 0.56	34 1.34	11.4 0.45	41.2 1.62	10.7 0.42	56.2 2.21	55 2.17	0.33 0.73	M10 3/8	FBL205	SUC205-16FG1	
19.3 0.76	15.9 0.63	32 1.26	13.3 0.52	41.5 1.63	10.7 0.42	58.9 2.32	64 2.52	0.49 1.08	M10 3/8	FBL206	SUC206-19FG1	
19.3 0.76	15.9 0.63	32 1.26	13.3 0.52	41.5 1.63	10.7 0.42	58.9 2.32	64 2.52	0.49 1.08	M10 3/8	FBL206	SUC206-20FG1	
21.7 0.85	17.5 0.69	36.5 1.44	16.1 0.63	47.1 1.85	13.1 0.52	65.1 2.56	75 2.93	0.7 1.54	M12 1/2	FBL207	SUC207-20FG1	
21.7 0.85	17.5 0.69	36.5 1.44	16.1 0.63	47.1 1.85	13.1 0.52	65.1 2.56	75 2.93	0.7 1.54	M12 1/2	FBL207	SUC207-22FG1	
21.7 0.85	17.5 0.69	36.5 1.44	16.1 0.63	47.1 1.85	13.1 0.52	65.1 2.56	75 2.93	0.7 1.54	M12 1/2	FBL207	SUC207-23FG1	
21.5 0.85	19 0.75	36 1.42	16 0.63	51.7 2.04	13.1 0.52	69.5 2.74	84 3.31	0.9 1.98	M12 1/2	FBL208	SUC208-24FG1	

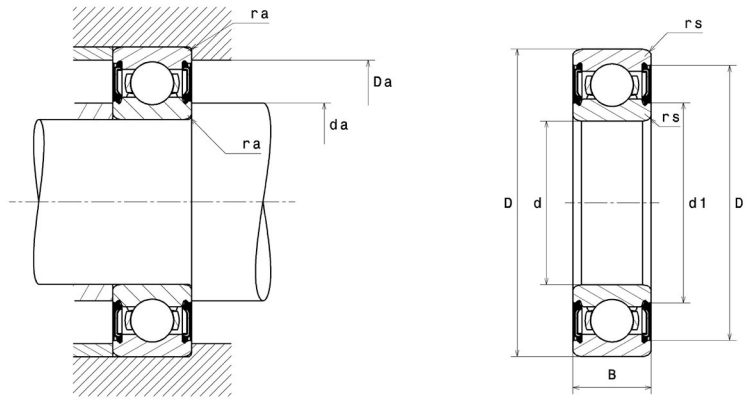


SENTINEL SERIES FOUR-BOLT FLANGE, THERMOPLASTIC

Shaft Size d	Unit Part Number		Nominal Dimensions (mm/inch)					
	Closed Cover	Open Cover	L	J	B	e	S	A
3/4	MUCFPL204-12CCFG1	MUCFPL204-12C0FG1	86 3.39	64 2.50	31 1.22	18 0.71	12.7 0.50	27.8 1.09
1	MUCFPL205-16CCFG1	MUCFPL205-16C0FG1	95 3.74	70 2.76	34.1 1.34	17 0.67	14.3 0.56	28 1.10
1 3/16	MUCFPL206-19CCFG1	MUCFPL206-19C0FG1	107 4.21	83 3.27	38.1 1.50	19.2 0.76	15.9 0.63	31.5 1.24
1 1/4	MUCFPL206-20CCFG1	MUCFPL206-20C0FG1	107 4.21	83 3.27	38.1 1.50	19.2 0.76	15.9 0.63	31.5 1.24
1 1/4	MUCFPL207-20CCFG1	MUCFPL207-20C0FG1	118 4.65	92 3.62	42.9 1.69	21.5 0.85	17.5 0.69	34.8 1.37
1 3/8	MUCFPL207-22CCFG1	MUCFPL207-22C0FG1	118 4.65	92 3.62	42.9 1.69	21.5 0.85	17.5 0.69	34.8 1.37
1 7/16	MUCFPL207-23CCFG1	MUCFPL207-23C0FG1	118 4.65	92 3.62	42.9 1.69	21.5 0.85	17.5 0.69	34.8 1.37
1 1/2	MUCFPL208-24CCFG1	MUCFPL208-24C0FG1	130 5.12	102 4.02	49.2 1.94	23 0.91	19 0.75	37.5 1.48

SENTINEL SERIES FOUR-BOLT FLANGE, THERMOPLASTIC (continued)

	Nominal Dimensions (mm/inch)					Weight (kg/lbs)	Bolt Size (metric/inch)	Housing	Insert Part Number
	A1	A2	N	Z	Dz				
	13.4 <i>0.53</i>	36.3 <i>1.43</i>	11 <i>0.43</i>	47.4 <i>1.87</i>	50.1 <i>1.97</i>	0.31 <i>0.68</i>	M10 $\frac{3}{8}$	WFPL204	SUC204-12FG1
	14.3 <i>0.56</i>	36.8 <i>1.45</i>	11 <i>0.43</i>	50.1 <i>1.97</i>	55.0 <i>2.17</i>	0.39 <i>0.86</i>	M10 $\frac{3}{8}$	WFPL205	SUC205-16FG1
	14.3 <i>0.56</i>	41.4 <i>1.63</i>	11 <i>0.43</i>	58.7 <i>2.31</i>	64.0 <i>2.52</i>	0.53 <i>1.17</i>	M10 $\frac{3}{8}$	WFPL206	SUC206-19FG1
	14.3 <i>0.56</i>	41.4 <i>1.63</i>	11 <i>0.43</i>	58.7 <i>2.31</i>	64.0 <i>2.52</i>	0.53 <i>1.17</i>	M10 $\frac{3}{8}$	WFPL206	SUC206-20FG1
	15.5 <i>0.61</i>	46.9 <i>1.85</i>	13 <i>0.51</i>	63.6 <i>2.50</i>	74.6 <i>2.94</i>	0.78 <i>1.72</i>	M12 $\frac{1}{2}$	WFPL207	SUC207-20FG1
	15.5 <i>0.61</i>	46.9 <i>1.85</i>	13 <i>0.51</i>	63.6 <i>2.50</i>	74.6 <i>2.94</i>	0.78 <i>1.72</i>	M12 $\frac{1}{2}$	WFPL207	SUC207-22FG1
	15.5 <i>0.61</i>	46.9 <i>1.85</i>	13 <i>0.51</i>	63.6 <i>2.50</i>	74.6 <i>2.94</i>	0.78 <i>1.72</i>	M12 $\frac{1}{2}$	WFPL207	SUC207-23FG1
	17 <i>0.67</i>	53.2 <i>2.09</i>	14 <i>0.55</i>	71 <i>2.80</i>	84.0 <i>3.31</i>	1.03 <i>2.27</i>	M12 $\frac{1}{2}$	WFPL208	SUC208-24FG1

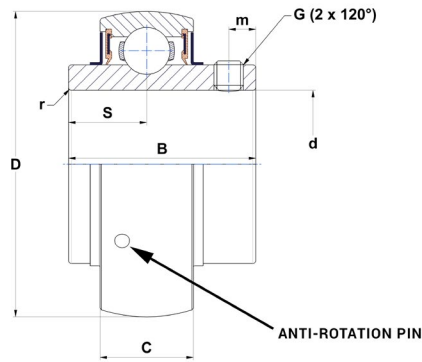


SENTINEL SERIES BALL BEARINGS

Part Number	Nominal Dimension (mm/inch)					Abutment (mm/inch)				
	d	D	B	d1	D1	rs min	da min	da max	Da max	ra max
S6000 2RS FG1	10 0.3937	26 1.0236	8 0.3150	12.8 0.5039	22.8 0.8976	0.3 0.012	12.0 0.472	12.8 0.504	24.0 0.945	0.3 0.012
S6001 2RS FG1	12 0.4724	28 1.1024	8 0.3150	16.3 0.6417	25.1 0.9882	0.3 0.012	14.0 0.551	16.3 0.642	26.0 1.024	0.3 0.012
S6201 2RS FG1	12 0.4724	32 1.2598	10 0.3937	17.6 0.6929	28.0 1.1024	0.6 0.024	16.0 0.630	17.6 0.693	28.0 1.102	0.6 0.024
S6002 2RS FG1	15 0.5901	32 1.2598	9 0.3543	19.3 0.7598	28.5 1.1220	0.3 0.012	17.0 0.669	19.3 0.760	30.0 1.181	0.3 0.012
S6202 2RS FG1	15 0.5901	35 1.3780	11 0.4331	19.7 0.7756	30.5 1.2008	0.6 0.024	19.0 0.748	19.7 0.776	31.0 1.220	0.6 0.024
S6003 2RS FG1	17 0.6693	35 1.3780	10 0.3937	21.3 0.8386	31.0 1.2205	0.3 0.012	19.0 0.748	21.3 0.839	33.0 1.299	0.3 0.012
S6203 2RS FG1	17 0.6693	40 1.5748	12 0.4724	22.7 0.8937	35.3 1.3898	0.6 0.024	21.0 0.827	22.7 0.894	36.0 1.417	0.6 0.024
S6004 2RS FG1	20 0.7874	42 1.6535	12 0.4724	25.0 0.9842	37.0 1.4567	0.6 0.024	24.0 0.945	25.0 0.984	38.0 1.496	0.6 0.024
S6204 2RS FG1	20 0.7874	47 1.8504	14 0.5512	27.5 1.0827	41.6 1.6378	1.0 0.039	25.0 0.984	27.5 1.083	42.0 1.654	1.0 0.039
S6005 2RS FG1	25 0.9843	47 1.8504	12 0.4724	30.0 1.1811	42.0 1.6535	0.6 0.024	29.0 1.142	30.0 1.181	43.0 1.693	0.6 0.024
S6205 2RS FG1	25 0.9843	52 2.0472	15 0.5906	31.8 1.2520	46.8 1.8425	1.0 0.039	30.0 1.181	31.8 1.252	47.0 1.850	1.0 0.039
S6006 2RS FG1	30 1.1811	55 2.1654	13 0.5118	36.4 1.4331	49.9 1.9646	1.0 0.039	35.0 1.378	36.4 1.433	50.0 1.969	1.0 0.039
S6206 2RS FG1	30 1.1811	62 2.4409	16 0.6299	38.8 1.5276	54.4 2.1417	1.0 0.039	35.0 1.378	38.8 1.528	57.0 2.244	1.0 0.039
S6007 2RS FG1	35 1.3780	62 2.4409	14 0.5511	41.9 1.6496	55.9 2.2008	1.0 0.039	40.0 1.575	41.9 1.650	57.0 2.244	1.0 0.039
S6207 2RS FG1	35 1.3780	72 2.8346	17 0.6693	44.8 1.7638	62.8 2.4724	1.1 0.043	41.5 1.634	44.8 1.764	65.5 2.579	1.0 0.039

SENTINEL SERIES BALL BEARINGS (continued)

Factor	Dynamic Load Rating (kN/lbs)	Static Load Rating (kN)/(lbs)	Limiting Speed (rpm)	Mass (kg/lbs)
f_o	C_r	C_o		
12.4	4.55 1020	1.97 440	11,100	0.02 0.04
13.2	5.10 1150	2.39 540	9,700	0.02 0.04
12.9	6.10 1370	2.80 630	8,800	0.04 0.09
13.9	5.50 1240	2.85 640	8,500	0.03 0.07
13.2	7.60 1710	3.75 840	7,800	0.04 0.09
14.5	5.90 1330	3.30 740	7,500	0.04 0.09
13.2	9.50 2140	4.80 1080	6,800	0.06 0.13
13.9	9.30 2090	5.10 1150	6,300	0.07 0.15
13.2	12.70 2860	6.70 1510	5,700	0.11 0.24
14.5	9.90 2230	5.90 1330	5,500	0.08 0.18
13.9	13.90 3130	7.90 1780	5,100	0.13 0.29
14.7	13.10 2950	8.30 1870	4,700	0.12 0.26
13.9	19.30 4340	11.30 2540	4,200	0.2 0.44
14.9	15.70 3530	10.30 2320	4,000	0.16 0.35
13.9	25.50 5730	15.40 3460	3,600	0.28 0.62



SENTINEL SERIES INSERT BEARINGS

Shaft Size d	Insert Part Number	Nominal Dimension (mm/inch)					
		D	B	C	S	m	r
3/4	SUC204-12FG1	47 1.85	31 1.22	17 0.67	12.7 0.50	5 0.20	0.5 0.02
1	SUC205-16FG1	52 2.05	34.1 1.34	17 0.67	14.3 0.56	5 0.20	0.5 0.02
1 3/16	SUC206-19FG1	62 2.44	38.1 1.50	19 0.75	15.9 0.63	5 0.20	0.5 0.02
1 1/4	SUC206-20FG1	62 2.44	38.1 1.50	19 0.75	15.9 0.63	5 0.20	0.5 0.02
1 1/4	SUC207-20FG1	72 2.83	42.9 1.69	20 0.79	17.5 0.69	6 0.24	1.0 0.04
1 3/8	SUC207-22FG1	72 2.83	42.9 1.69	20 0.79	17.5 0.69	6 0.24	1.0 0.04
1 7/16	SUC207-23FG1	72 2.83	42.9 1.69	20 0.79	17.5 0.69	6 0.24	1.0 0.04
1 1/2	SUC208-24FG1	80 3.15	49.2 1.94	21 0.83	19 0.75	8 0.31	1.0 0.04
1 5/8	SUC209-26FG1	85 3.35	49.2 1.94	22 0.87	19 0.75	8 0.31	1.0 0.04
1 3/4	SUC209-28FG1	85 3.35	49.2 1.94	22 0.87	19 0.75	8 0.31	1.0 0.04
1 15/16	SUC210-31FG1	90 3.54	51.6 2.03	24 0.94	19 0.75	10 0.39	1.0 0.04
2	SUC211-32FG1	100 3.94	55.6 2.19	25 0.98	22.2 0.87	10 0.39	1.0 0.04
2 3/16	SUC211-35FG1	100 3.94	55.6 2.19	25 0.98	22.2 0.87	10 0.39	1.0 0.04
2 7/16	SUC212-39FG1	110 4.33	65.1 2.56	27 1.06	25.4 1.00	10 0.39	1.0 0.04

SENTINEL SERIES INSERT BEARINGS (continued)

Set Screw Size	Wrench Size	Dynamic load rating (kN/lbs)	Static load rating (kN/lbs)	Limiting Speed (rpm)	Weight (kg/lbs)
G	SW	C_r	C_o		
1/4-28UNF	1/8	10.1 2270	6.8 1530	5,900	0.16 0.35
1/4-28UNF	1/8	11.0 2470	8.0 1800	5,100	0.2 0.44
1/4-28UNF	1/8	15.3 3440	11.5 2590	4,300	0.32 0.71
1/4-28UNF	1/8	15.3 3440	11.5 2590	4,300	0.32 0.71
5/16-24UNF	5/32	20.1 4520	15.6 3510	3,700	0.47 1.04
5/16-24UNF	5/32	20.1 4520	15.6 3510	3,700	0.47 1.04
5/16-24UNF	5/32	20.1 4520	15.6 3510	3,700	0.47 1.04
5/16-24UNF	5/32	22.8 5130	18.2 4090	3,300	0.63 1.39
5/16-24UNF	5/32	25.7 5780	20.8 4680	3,100	0.69 1.52
5/16-24UNF	5/32	25.7 5780	20.8 4680	3,100	0.69 1.52
3/8-24UNF	3/16	27.5 6180	23.7 5330	2,900	0.77 1.70
3/8-24UNF	3/16	34.0 7640	25.5 5730	2,400	1.06 2.34
3/8-24UNF	3/16	34.0 7640	25.5 5730	2,400	1.06 2.34
3/8-24UNF	3/16	41.0 9220	31.5 7080	1,900	1.47 3.24

Sentinel Series Installation Instructions

The following is the recommended procedure for assembly of the Sentinel Series bearing units.

1. Remove any burrs or damage on the shaft and mounting surface area.
2. Ensure the set screws are not protruding into the bore of the bearing.
3. Install inboard seal cover, if applicable, with dead blow hammer by tapping the cover all the way around the edge until it is firmly in place.
4. Slide the bearing unit into position on the shaft. (Fig. 1)
5. Make certain the mounting area for the housing is flat and even. If the surface is not flat or even, shims should be applied to create a flat and even surface for the entire housing. (Fig. 2)
6. Position the housing and tighten the mounting bolts. (Depending on the application, steps 5 and 6 may be reversed)
7. Using the maximum torque settings for the set screws provided, tighten the set screws evenly onto the shaft. (Fig. 3)
8. Install outboard cover, if applicable, with dead blow hammer by tapping the cover all the way around the edge until it is firmly in place. (Fig. 4)

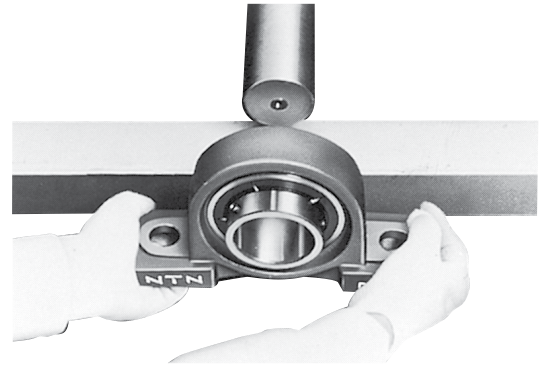


Fig. 1

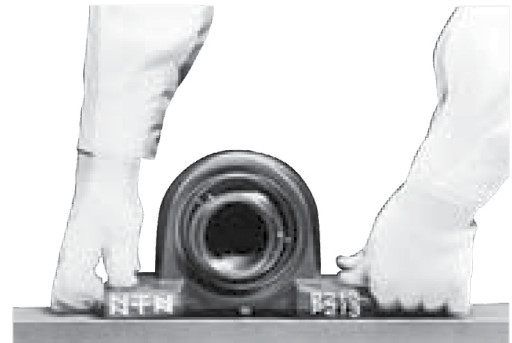


Fig. 2

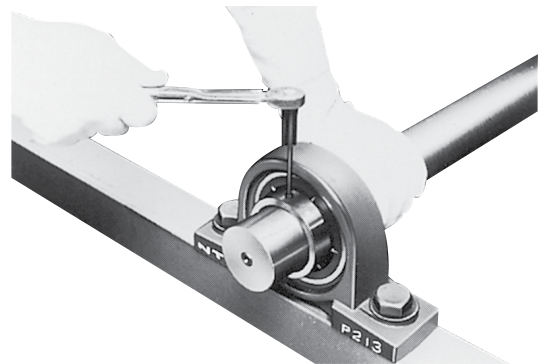


Fig. 3

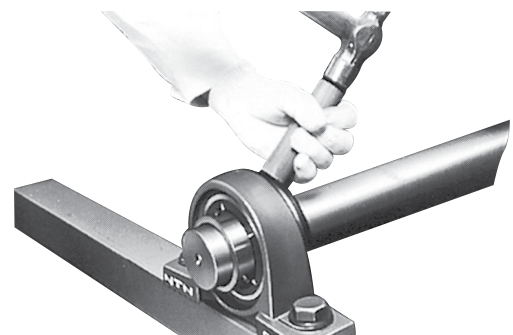


Fig. 4

Sentinel Series Installation Instructions



SETSCREW TIGHTENING TORQUE				
Unit Size	Metric Series		Inch Series	
	Set Screw Designation	Tightening Torque MAX (N-m)	Set Screw Designation	Tightening Torque MAX (in-lb)
201 to 206	M6x1	3.9	1/4-28UNF	34.5
207 to 208	M8x1	8.5	5/16-24UNF	73.5
209 to 212	M10x1.25	17.7	3/8-24UNF	156.5

TIGHTENING TORQUE BY BOLT SIZE		
Mounting Bolt Size (metric)	Tightening Torque MAX (N-m)	Tightening Torque MAX (in-lb)
M10	30.0	265.5
M12	53.0	469.1
M14	85.0	752.3
M16	132.5	1172.7



FOR THERMOPLASTIC TYPE		
Housing Size	Mounting Bolt Size	Tightening Torque MAX (N-m)
204	M10	17.5
205	M10	17.5
206	M12	30.5
207	M12	30.5
208	M12	30.5

Sentinel Series Components

SENTINEL SERIES COVERS, STAINLESS STEEL

Housing Series	Part Number	Cap Type	Shaft Size	Diameter of Cover (mm/inch)	Cover Width (mm/inch)	Weight (kg/lbs)		
204	SCC204	Closed Cover		54 2.13	14.3 0.56	0.03 0.07		
205	SCC205	Closed Cover		60 2.36	15.4 0.61	0.04 0.09		
206	SCC206	Closed Cover		70 2.76	16.9 0.67	0.05 0.11		
207	SCC207	Closed Cover		80 3.15	18.7 0.74	0.06 0.13		
208	SCC208	Closed Cover		88 3.46	22.9 0.90	0.08 0.18		
209	SCC209	Closed Cover		95 3.74	22.9 0.90	0.09 0.20		
210	SCC210	Closed Cover		100 3.94	25.8 1.02	0.12 0.26		
211	SCC211	Closed Cover		110 4.33	25.1 0.99	0.14 0.31		
212	SCC212	Closed Cover		120 4.72	30.4 1.20	0.18 0.40		
204	SC0U204-12	Open Cover	3/4	54 2.13	14.3 0.56	0.03 0.07		 Silicone Rubber Seal
205	SC0U205-16	Open Cover	1	60 2.36	15.4 0.61	0.03 0.07		
206	SC0U206-19	Open Cover	1 3/16	70 2.76	16.9 0.67	0.04 0.09		
206	SC0U206-20	Open Cover	1 1/4	70 2.76	16.9 0.67	0.04 0.09		
207	SC0U207-20	Open Cover	1 1/4	80 3.15	18.7 0.74	0.05 0.11		
207	SC0U207-22	Open Cover	1 3/8	80 3.15	18.7 0.74	0.05 0.11		
207	SC0U207-23	Open Cover	1 7/16	80 3.15	18.7 0.74	0.05 0.11		
208	SC0U208-24	Open Cover	1 1/2	88 3.46	22.9 0.90	0.07 0.15		
209	SC0U209-26	Open Cover	1 5/8	95 3.74	22.9 0.90	0.08 0.18		
209	SC0U209-28	Open Cover	1 3/4	95 3.74	22.9 0.90	0.08 0.18		
210	SC0U210-31	Open Cover	1 15/16	100 3.94	25.8 1.02	0.10 0.22		
211	SC0U211-32	Open Cover	2	110 4.33	25.1 0.99	0.11 0.24		
211	SC0U211-35	Open Cover	2 3/16	110 4.33	25.1 0.99	0.11 0.24		
212	SC0U212-39	Open Cover	2 7/16	120 4.72	30.4 1.20	0.14 0.31		

Sentinel Series Components

SENTINEL SERIES COVERS, THERMOPLASTIC								
Housing Series	Part Number	Cap Type	Shaft Size	Diameter of Cover (mm/inch)	Cover Width (mm/inch)	Weight (kg/lbs)		
204	CV20	Open Cover	3/4"	50.1 1.97	23 0.91	0.016 0.04	 <p>Nitrile Rubber Seal</p>	
205	CV25	Open Cover	1"	55 2.17	25 0.98	0.025 0.06		
206	CV30	Open Cover	1 3/16" 1 1/4"	64 2.52	30 1.18	0.031 0.07		
207	CV35	Open Cover	1 1/4" 1 3/8" 1 7/16"	74.6 2.94	32 1.26	0.043 0.09		
208	CV40	Open Cover	1 1/2"	84 3.31	37 1.46	0.054 0.12		
204	CF20	Closed Cover		50.1 1.97	23 0.91	0.011 0.02		
205	CF25	Closed Cover		55 2.17	25 0.98	0.016 0.04		
206	CF30	Closed Cover		64 2.52	30 1.18	0.021 0.05		
207	CF35	Closed Cover		74.6 2.94	32 1.26	0.028 0.06		
208	CF40	Closed Cover		84 3.31	37 1.46	0.032 0.07		

Sentinel Series Engineering

What is NTN Food-Grade Solid Lube?

NTN food-grade solid lube is an NSF H1 registered solid lubricant composed of a polymer impregnated with oil. In solid lube, oil is stored in a porous solid material which acts like a sponge releasing the necessary amount of base oil to lubricate the components as the bearing rotates.

Why Solid Lube?

Permanently Lubricated For Longer Life

NTN Sentinel Series' food-grade solid lube creates a permanent state of lubrication that leads to longer bearing life. Additionally, because Sentinel Series bearing cavities are 100% filled, there are no extra voids where contamination and foreign matter might enter the bearing.

Washdown Friendly

Frequent high-pressure washdowns ensure food products remain safe and free from contaminants, but they wreak havoc on standard food-grade grease. That is why Sentinel Series uses food-grade, NSF H1 registered solid lubricant that cannot be washed out of the bearing.

No Grease Leakage

Lubricant leakage generally causes excessive wear or overheating in the bearing. In addition, grease leakage attracts dust and dirt around the bearing unit, leading to premature failures and possible food product contamination. With Sentinel Series, our solid lubricant and unique seal and slinger design eliminate the possibility for lubricant leakage.

Temperature Limits

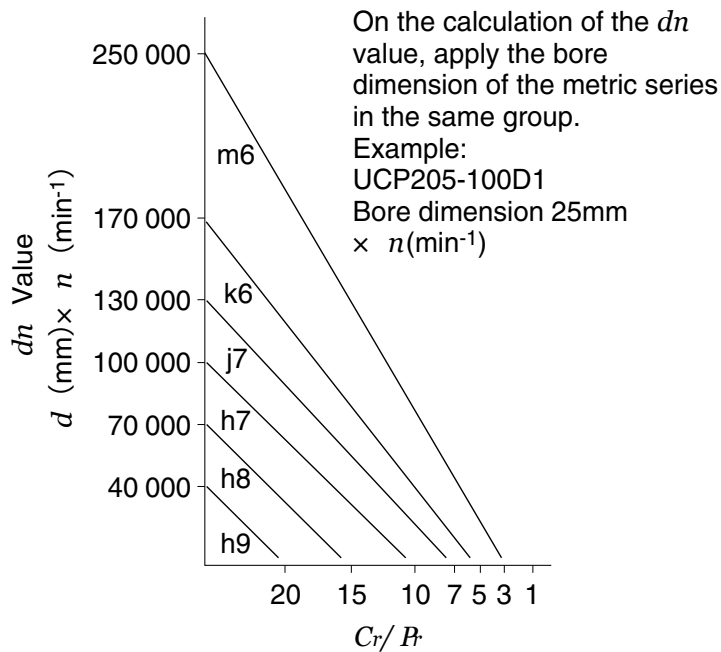
All Sentinel Series bearings come pre-lubricated with a NSF H1 registered food-grade solid lube with a 100% fill that are operable in a temperature range of 14°F (-10°C) to 212°F (100°C).

Speed Limitations

Insert Series	Solid Lube - Speed Limits vs Shaft Fitting (rpm)			
	j7	h7	h8	h9
204	5900	4800	3400	1200
205	5100	4000	3000	1000
206	4300	3400	2400	850
207	3700	3000	2000	750
208	3300	2600	1900	670
209	3100	2400	1700	600
210	2900	2200	1600	560
211	2400	1800	1300	450
212	1900	1600	1000	400

Sentinel Series Engineering

Shaft Tolerances



ISO Tolerances Shaft Tolerances (units mm)																
Nominal Diameter (mm)		h7		h8		h9		j7		js7		k6		m6		
over	inc.	High	Low	High	Low	High	Low	High	Low	High	Low	High	Low	High	Low	
3	6	0	-12	0	-18	0	-30	+8	-4	+6	-6	+9	+1	+12	+4	
6	10	0	-15	0	-22	0	-36	+10	-5	+7.5	-7.5	+10	+1	+15	+6	
10	18	0	-18	0	-27	0	-43	+12	-6	+9	-9	+12	+1	+18	+7	
18	30	0	-21	0	-33	0	-52	+13	-8	+10.5	-10.5	+15	+2	+21	+8	
30	50	0	-25	0	-39	0	-62	+15	-10	+12.5	-12.5	+18	+2	+25	+9	
50	80	0	-30	0	-46	0	-74	+18	-12	+15	-15	+21	+2	+30	+11	
80	120	0	-35	0	-54	0	-87	+20	-15	+17.5	-17.5	+25	+3	+35	+13	
120	180	0	-40	0	-63	0	-100	+22	-18	+20	-20	+28	+3	+40	+15	



NTN[®]

Since 1918, NTN has been a trusted OE manufacturer of high-performing bearing products that increase productivity and efficiency.

- NTN has been the world's broad-line bearing manufacturer for nearly 100 years.
- NTN has the largest bearing manufacturing footprint in the United States.
- NTN is the largest supplier of American-made products to the construction and mining industries.
- NTN is a major supplier to over two-thirds of the world's "Fortune 500" manufacturing companies.
- More cars worldwide ride on NTN bearings and drivetrains than any other manufacturer's product.



◀ NTN was the first bearing manufacturer to be awarded the prestigious Deming Prize for recognition of its quality products and systems.

Beyond Bearings

Training. Installation Support.
Trouble-shooting. And more.

When you choose NTN, your team is equipped with all the necessary tools and resources to get the job done right. From installation to problem-solving, we'll be there with the hands-on support you need to take on your toughest challenges. This includes extra services such as:



Technical Training Unit

On-site, mobile training unit offering specialized, hands-on instruction from NTN engineers



Product Training School

Three days of in-depth instruction from NTN engineers at NTN headquarters
(go.ntnamericas.com/trainingschool)



eKnowledge

WEB-BASED TRAINING PROGRAM

Six online product training modules covering different bearing types and nomenclature
(www.ntnamericas.com/eknowledge)



NTN Bearing Finder

Customizable search tool featuring exhaustive data sets, comprehensive part interchanges and interactive CAD drawings
(bearingfinder.ntnamericas.com)



Ready to get rolling? Contact us today for full details at
1-800-323-2358 or eng@ntnamerica.com.

NTN[®]

NTN BEARING CORPORATION OF AMERICA • 1600 E. Bishop Court • Mount Prospect, IL 60056-7604, U.S.A.

Tel: 847-298-7500 • Fax: 847-294-1205 • www.ntnamericas.com

NTN is a registered trademark of NTN Corporation. Osaka, Japan